

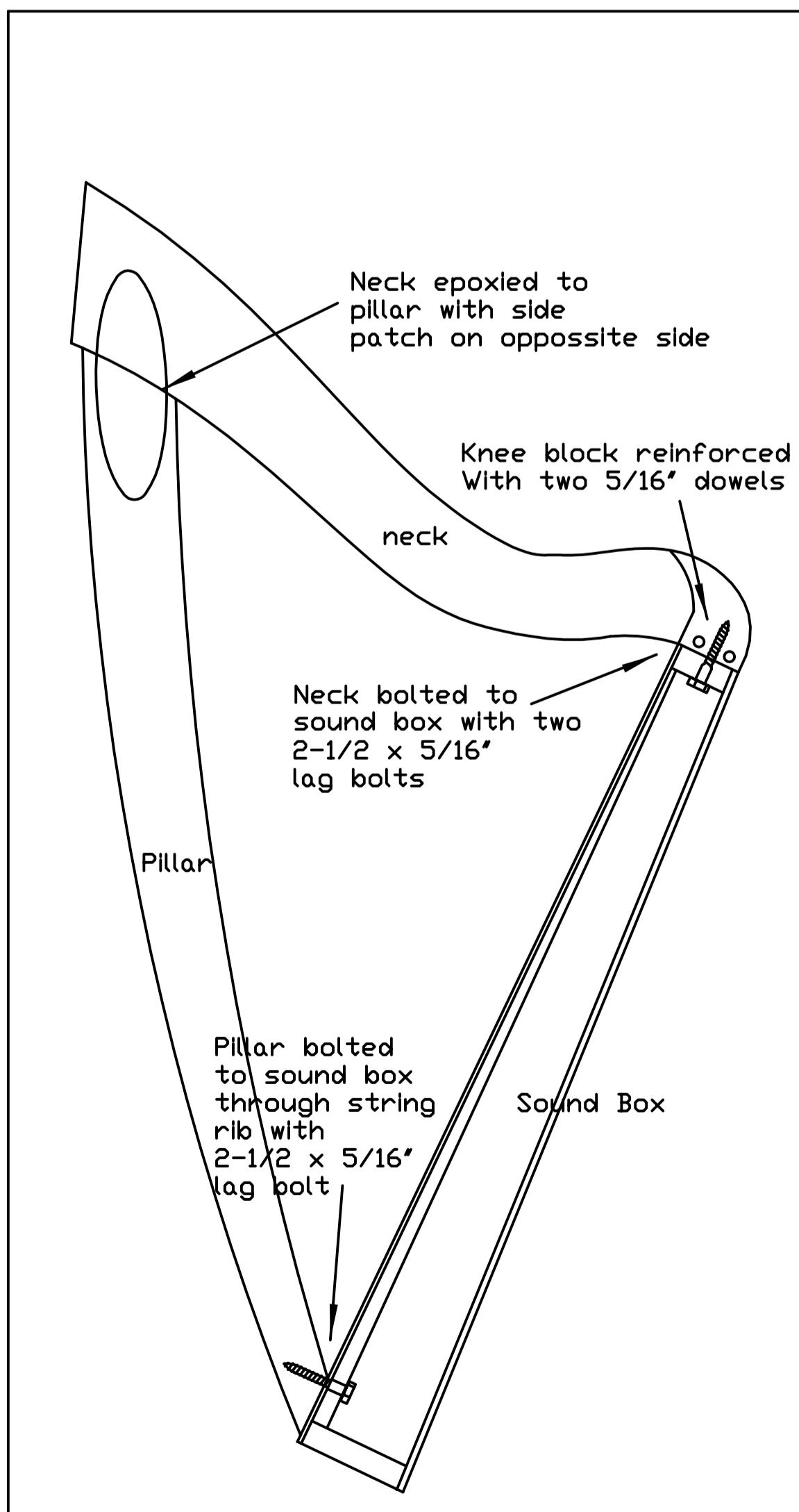
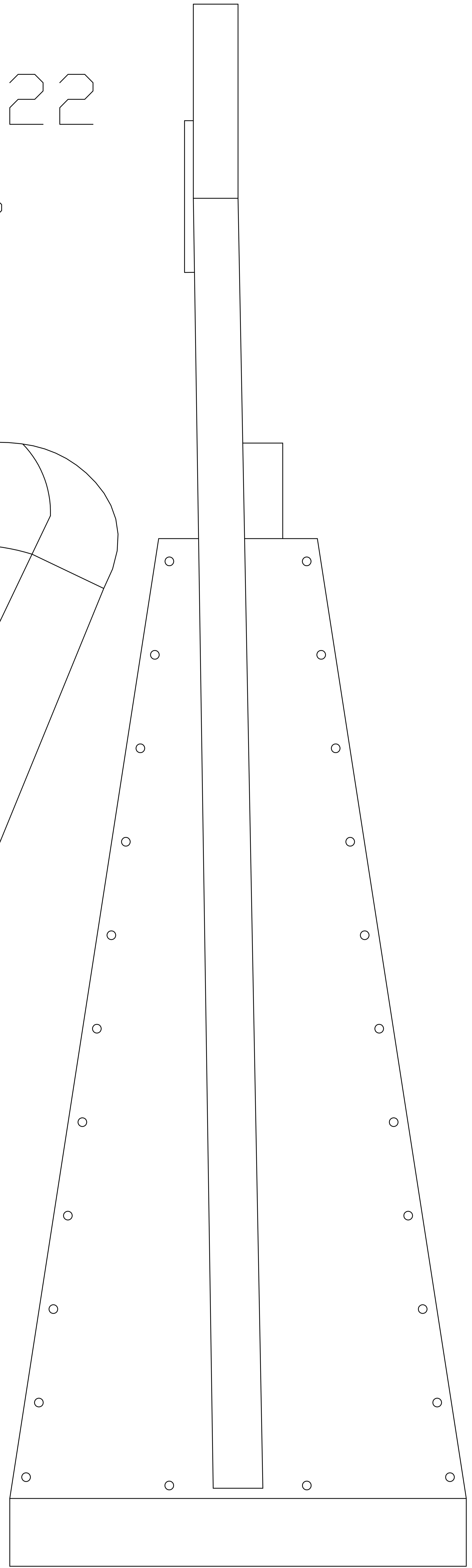
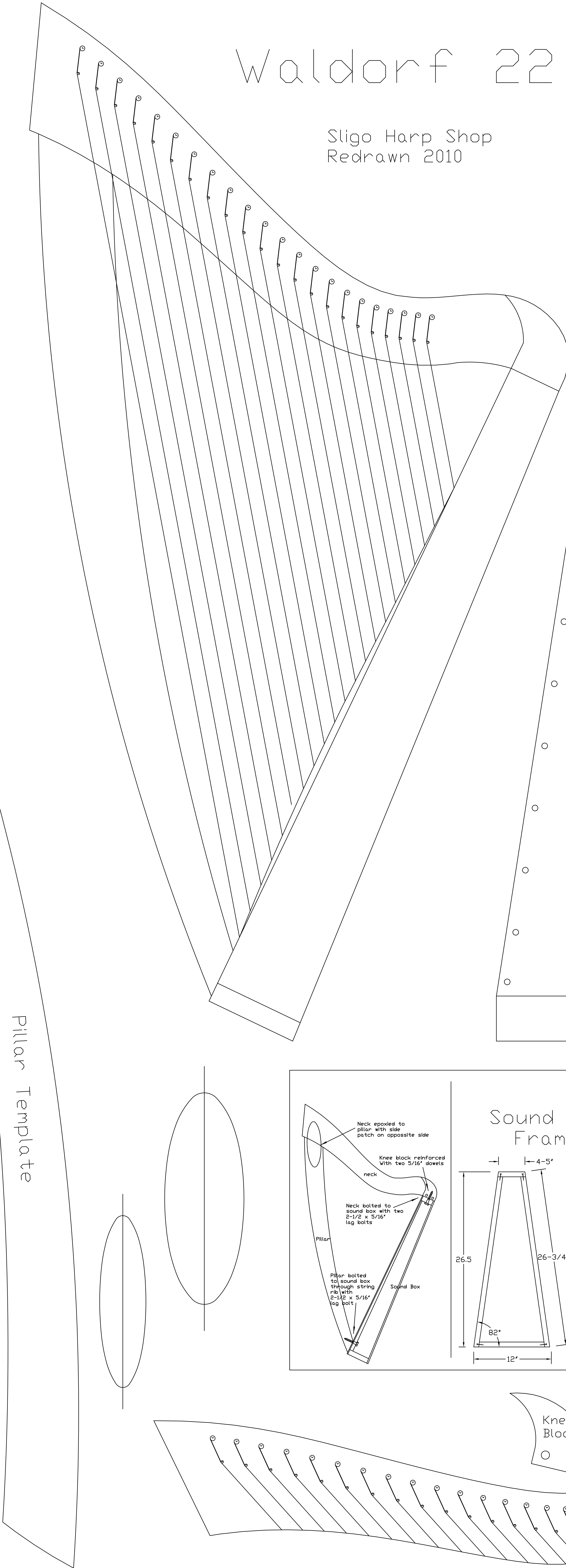
Waldorf 22

Sligo Harp Shop
Redrawn 2010

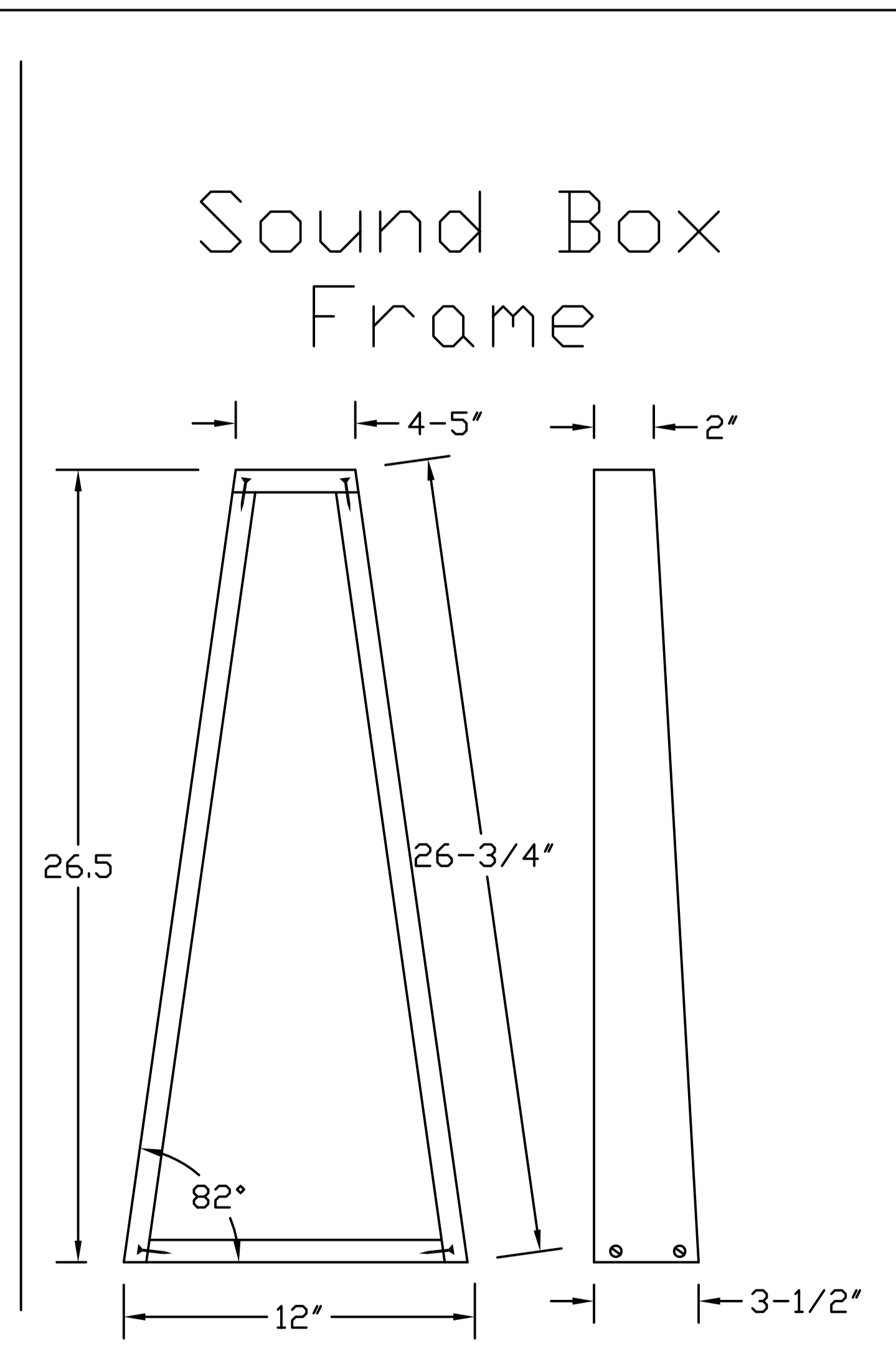
Strike centerline on string band then use this template alongside to mark center for eyelet holes.



Pillar Template



Sound Box Frame



Sound Board

